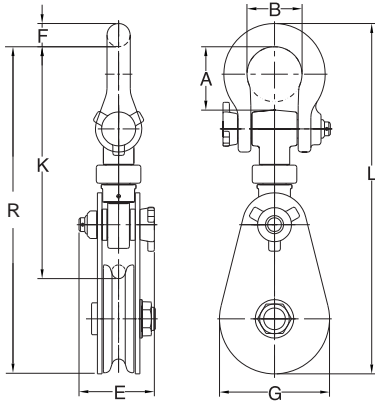


YOKE



**U.S. RIGGING
SUPPLY**





- YOKE blocks are manufactured from the highest quality tensile steel.
- YOKE blocks are available in sizes from 2 tonnes to 20 tonnes.
- YOKE blocks are designed with a safety factor of 4 : 1.
- YOKE blocks are available for wire rope sizes 5/16" to 1-1/8".
- YOKE blocks are supplied with model number, wire diameter and working load limit.
- YOKE blocks are supplied with test certs and batch numbers for ease of traceability.
- YOKE blocks are manufactured with bronze bushings and grease fitting for ease of use and extended sheave life.
- YOKE offers custom blocks designs upon request.

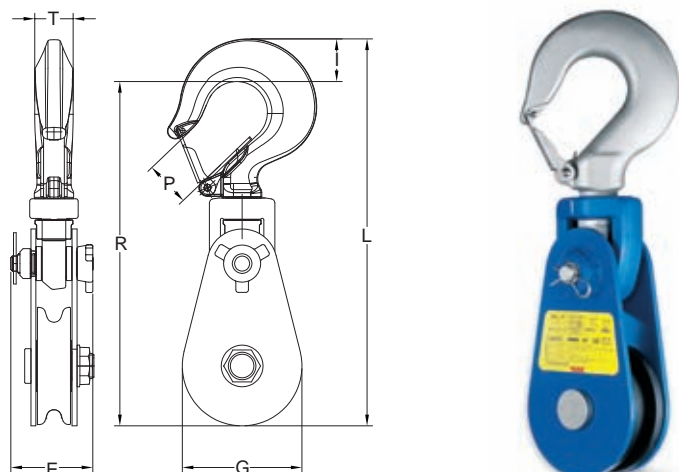
Snatch Block With Shackle

Item No.	Working Load Limit tons*	Sheave Dia. inch	Wire Rope Size		Dimensions (inch)								Replacement Sheave	N.W. Lbs
			mm	inch	A	B	K	R	E	F	G	L		
8-501-02	2	3	8-10	5/16 ~ 3/8	1.38	1.18	5.91	8.53	2.52	0.43	2.95	8.96	8-500-02	4.4
8-501-04	4	4.5	10-13	3/8 ~ 1/2	2.52	1.97	9.57	13.27	3.11	0.75	4.21	14.02	8-500-04	13.0
8-501-08	8	6	16-19	5/8 ~ 3/4	3.43	2.99	12.60	17.80	4.09	1.26	5.98	19.06	8-500-08	28.7
8-501-0808	8	8	16-19	5/8 ~ 3/4	3.43	2.99	13.10	20.64	4.09	1.26	8.66	21.90	8-500-0808	43.0
8-501-12	12	6	19-22	3/4 ~ 7/8	3.07	3.15	14.13	19.63	5.28	1.73	6.57	21.26	8-500-12	53.6
8-501-15	15	8	19-22	3/4 ~ 7/8	3.07	3.15	13.99	21.46	5.28	1.73	8.66	23.19	8-500-15	65.1
8-501-1510	15	10	19-22	3/4 ~ 7/8	3.07	3.15	16.70	26.37	5.28	1.73	11.00	28.10	8-500-1510	94.8
8-501-1512	15	12	19-22	3/4 ~ 7/8	3.07	3.15	16.80	28.57	5.28	1.73	13.00	30.30	8-500-1512	117.9
8-501-20	20	8	25-29	1 ~ 1 1/8	4.29	3.66	17.05	24.25	5.91	2.17	8.50	26.42	8-500-20	90.8
8-501-2010	20	10	25-29	1 ~ 1 1/8	4.29	3.66	18.90	28.46	5.91	2.17	11.00	30.60	8-500-2010	119.0
8-501-2012	20	12	25-29	1 ~ 1 1/8	4.29	3.66	19.10	30.63	5.91	2.17	13.00	32.80	8-500-2012	137.8

*Minimum Ultimate Load is 4 times the Working Load Limit.

Item No.	Working Load Limit tons*	Sheave Dia. inch	Wire Rope Size		Dimensions (mm)								Replacement Sheave	N.W. Kg
			mm	inch	A	B	K	R	E	F	G	L		
8-501-02	2	3	8-10	5/16 ~ 3/8	35	30	150	217	64	11	75	228	8-500-02	2.0
8-501-04	4	4.5	10-13	3/8 ~ 1/2	64	50	243	337	79	19	107	356	8-500-04	5.9
8-501-08	8	6	16-19	5/8 ~ 3/4	87	76	320	452	104	32	152	484	8-500-08	13.0
8-501-0808	8	8	16-19	5/8 ~ 3/4	87	76	333	526	104	32	220	558	8-500-0808	19.5
8-501-12	12	6	19-22	3/4 ~ 7/8	78	80	359	496	134	44	167	540	8-500-12	24.3
8-501-15	15	8	19-22	3/4 ~ 7/8	78	80	355	545	134	44	220	589	8-500-15	29.6
8-501-1510	15	10	19-22	3/4 ~ 7/8	78	80	423	670	134	44	280	714	8-500-1510	43.0
8-501-1512	15	12	19-22	3/4 ~ 7/8	78	80	428	726	134	44	330	770	8-500-1512	53.5
8-501-20	20	8	25-29	1 ~ 1 1/8	109	93	433	616	150	55	216	671	8-500-20	41.2
8-501-2010	20	10	25-29	1 ~ 1 1/8	109	93	481	723	150	55	280	778	8-500-2010	54.0
8-501-2012	20	12	25-29	1 ~ 1 1/8	109	93	485	778	150	55	330	833	8-500-2012	62.5

*Minimum Ultimate Load is 4 times the Working Load Limit.



- YOKE blocks are manufactured from the highest quality tensile steel.
- YOKE blocks are available in sizes from 2 tonnes to 20 tonnes.
- YOKE blocks are designed with a safety factor of 4 : 1.
- YOKE blocks are available for wire rope sizes 5/16" to 1-1/8".
- YOKE blocks are supplied with model number, wire diameter and working load limit.
- YOKE blocks are supplied with test certs and batch numbers for ease of traceability.
- YOKE blocks are manufactured with bronze bushings and grease fitting for ease of use and extended sheave life.
- YOKE offers custom blocks designs upon request.

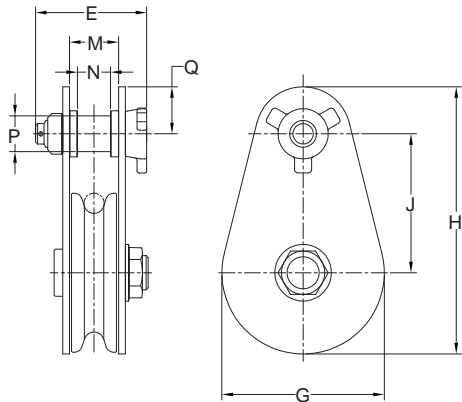
Snatch Block With Hook

Item No.	Working Load Limit	Sheave Dia.	Wire Rope Size		Dimensions (inch)							Replacement Sheave	N.W. Lbs
	tons*	inch	mm	inch	T	E	G	I	R	L	P		
8-502-02	2	3	8-10	5/16 ~ 3/8	0.69	2.52	2.95	1.00	8.80	9.9	1.00	8-500-02	5.1
8-502-04	4	4.5	10-13	3/8 ~ 1/2	1.13	3.11	4.24	1.88	12.62	14.0	1.25	8-500-04	13.0
8-502-08	8	6	16-19	5/8 ~ 3/4	1.50	4.09	4.10	2.13	16.8	19.2	2.00	8-500-08	28.2
8-502-0808	8	8	16-19	5/8 ~ 3/4	1.50	4.09	8.70	2.13	19.8	22.2	2.00	8-500-0808	41.4
8-502-12	12	6	19-22	3/4 ~ 7/8	1.63	5.28	6.60	2.63	19.6	22.2	2.50	8-500-12	50.0
8-502-1208	12	8	19-22	3/4 ~ 7/8	1.63	5.27	8.67	2.63	21.1	23.3	2.50	8-500-1208	61.5
8-502-1210	12	10	19-22	3/4 ~ 7/8	1.63	5.27	11.00	2.63	27.6	29.3	2.50	8-500-1210	92.2
8-502-15	15	8	19-22	3/4 ~ 7/8	1.94	5.27	8.67	2.63	21.5	24.2	2.50	8-500-15	63.7
8-502-1510	15	10	19-22	3/4 ~ 7/8	1.94	5.27	11.00	2.63	27.6	30.3	2.50	8-500-1510	94.1
8-502-1512	15	12	19-22	3/4 ~ 7/8	1.94	5.27	13.00	2.63	28.6	31.3	2.50	8-500-1512	116.6
8-502-20	20	8	25-29	1 ~ 1 3/8	2.38	13.82	8.51	3.00	25.3	28.0	3.38	8-500-20	90.4
8-502-2010	20	10	25-29	1 ~ 1 3/8	2.38	13.82	11.00	3.00	29.5	32.5	3.38	8-500-2010	115.7
8-502-2012	20	12	25-29	1 ~ 1 3/8	2.38	13.82	13.00	3.00	31.7	34.7	3.38	8-500-2012	137.8

*Minimum Ultimate Load is 4 times the Working Load Limit.

Item No.	Working Load Limit	Sheave Dia.	Wire Rope Size		Dimensions (mm)							Replacement Sheave	N.W. Kg
	tons*	inch	mm	inch	T	E	G	I	R	L	P		
8-502-02	2	3	8-10	5/16 ~ 3/8	18	64	75	25	224	250	25	8-500-02	2.3
8-502-04	4	4.5	10-13	3/8 ~ 1/2	29	79	108	48	321	355	32	8-500-04	5.9
8-502-08	8	6	16-19	5/8 ~ 3/4	38	104	104	54	427	488	51	8-500-08	12.8
8-502-0808	8	8	16-19	5/8 ~ 3/4	38	104	220	54	502	565	51	8-500-0808	18.8
8-502-12	12	6	19-22	3/4 ~ 7/8	41	134	168	67	498	565	64	8-500-12	22.7
8-502-1208	12	8	19-22	3/4 ~ 7/8	41	134	220	67	535	592	64	8-500-1208	27.9
8-502-1210	12	10	19-22	3/4 ~ 7/8	41	134	280	67	702	743	64	8-500-1210	41.8
8-502-15	15	8	19-22	3/4 ~ 7/8	49	134	220	67	547	614	64	8-500-15	28.9
8-502-1510	15	10	19-22	3/4 ~ 7/8	49	134	280	67	702	769	64	8-500-1510	42.7
8-502-1512	15	12	19-22	3/4 ~ 7/8	49	150	330	67	727	794	64	8-500-1512	52.9
8-502-20	20	8	25-29	1 ~ 1 3/8	61	150	216	76	643	719	86	8-500-20	41.0
8-502-2010	20	10	25-29	1 ~ 1 3/8	61	150	280	76	750	826	86	8-500-2010	52.5
8-502-2012	20	12	25-29	1 ~ 1 3/8	61	150	330	76	805	881	86	8-500-2012	62.5

*Minimum Ultimate Load is 4 times the Working Load Limit.



- YOKE blocks are manufactured from the highest quality tensile steel.
- YOKE blocks are available in sizes from 2 tonnes to 20 tonnes.
- YOKE blocks are designed with a safety factor of 4 : 1.
- YOKE blocks are available for wire rope sizes 5/16" to 1-1/8".
- YOKE blocks are supplied with model number, wire diameter and working load limit.
- YOKE blocks are supplied with test certs and batch numbers for ease of traceability.
- YOKE blocks are manufactured with bronze bushings and grease fitting for ease of use and extended sheave life.
- YOKE offers custom blocks designs upon request.

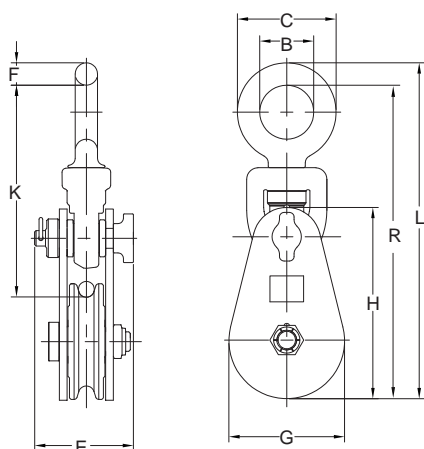
Tail Board

Item No.	Working Load Limit	Sheave Dia.	Wire Rope Size		Dimensions (inch)								Replacement Sheave	N.W.
	tons*	inch	mm	inch	Q	E	G	H	J	M	N	P		Lbs
8-503-02	2	3	8-10	5/16 ~ 3/8	0.75	2.52	2.95	4.88	2.64	0.98	0.67	0.75	8-500-02	3.0
8-503-04	4	4.5	10-13	3/8 ~ 1/2	1.38	3.11	4.21	7.72	4.21	1.50	1.06	1.14	8-500-04	7.9
8-503-08	8	6	16-19	5/8 ~ 3/4	1.73	4.09	5.98	9.84	5.12	1.81	1.22	1.30	8-500-08	15.0
8-503-0808	8	8	16-19	5/8 ~ 3/4	1.73	4.09	8.66	12.80	6.73	1.81	1.22	1.30	8-500-0808	28.4
8-503-12	12	6	19-22	3/4 ~ 7/8	1.97	5.28	6.57	10.94	5.71	2.36	1.69	1.69	8-500-12	30.4
8-503-15	15	8	19-22	3/4 ~ 7/8	1.89	5.28	8.66	12.80	6.57	2.36	1.69	1.69	8-500-15	41.8
8-503-1510	15	10	19-22	3/4 ~ 7/8	1.89	5.28	11.00	17.70	10.30	2.36	1.69	1.69	8-500-1510	72.8
8-503-1512	15	12	19-22	3/4 ~ 7/8	1.89	5.28	13.00	19.90	11.50	2.36	1.69	1.69	8-500-1512	93.6
8-503-20	20	8	25-29	1 ~ 1 3/8	2.36	5.91	8.50	13.50	6.89	2.52	1.93	2.09	8-500-20	49.6
8-503-2010	20	10	25-29	1 ~ 1 3/8	2.36	5.91	11.00	17.70	9.80	2.52	1.93	2.09	8-500-2010	76.1
8-503-2012	20	12	25-29	1 ~ 1 3/8	2.36	5.91	13.00	19.90	11.00	2.52	1.93	2.09	8-500-2012	99.2

*Minimum Ultimate Load is 4 times the Working Load Limit.

Item No.	Working Load Limit	Sheave Dia.	Wire Rope Size		Dimensions (mm)								Replacement Sheave	N.W.
	tons*	inch	mm	inch	Q	E	G	H	J	M	N	P		Kg
8-503-02	2	3	8-10	5/16 ~ 3/8	19	64	75	124	67	25	17	19	8-500-02	1.4
8-503-04	4	4.5	10-13	3/8 ~ 1/2	35	79	107	196	107	38	27	29	8-500-04	3.6
8-503-08	8	6	16-19	5/8 ~ 3/4	44	104	152	250	130	46	31	33	8-500-08	6.8
8-503-0808	8	8	16-19	5/8 ~ 3/4	44	104	220	325	171	46	31	33	8-500-0808	12.9
8-503-12	12	6	19-22	3/4 ~ 7/8	50	134	167	278	145	60	43	43	8-500-12	13.8
8-503-15	15	8	19-22	3/4 ~ 7/8	48	134	220	325	167	60	43	43	8-500-15	19.0
8-503-1510	15	10	19-22	3/4 ~ 7/8	262	134	280	450	262	60	43	43	8-500-1510	33.0
8-503-1512	15	12	19-22	3/4 ~ 7/8	292	134	330	505	292	60	43	43	8-500-1512	42.5
8-503-20	20	8	25-29	1 ~ 1 3/8	60	150	216	343	175	64	49	53	8-500-20	22.5
8-503-2010	20	10	25-29	1 ~ 1 3/8	250	150	280	450	250	64	49	53	8-500-2010	34.5
8-503-2012	20	12	25-29	1 ~ 1 3/8	280	150	330	505	280	64	49	53	8-500-2012	45.0

*Minimum Ultimate Load is 4 times the Working Load Limit.



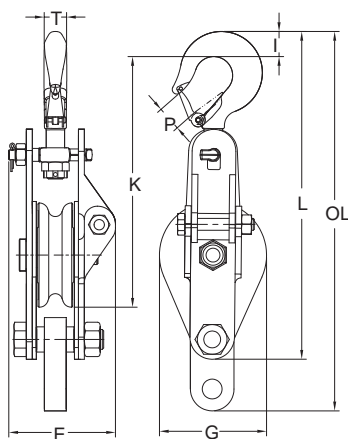
- YOKE blocks are manufactured from the highest quality tensile steel.
- YOKE blocks are designed with a safety factor of 4 : 1.
- YOKE blocks are supplied with model number, wire diameter and working load limit.
- YOKE blocks are supplied with test certs and batch numbers for ease of traceability.
- YOKE blocks are manufactured with bronze bushings and grease fitting for ease of use and extended sheave life.

Snatch Block With Swivel Eye

Item No.	Working Load Limit tons*	Sheave Dia. inch	Wire Rope Size		Dimensions (inch)									Replacement Sheave	N.W. Lbs
			mm	inch	B	C	R	E	F	G	H	L	K		
8-504-02	2	3	8-10	$\frac{5}{16}$ ~ $\frac{3}{8}$	1.38	2.92	8.07	2.52	0.55	2.95	4.88	8.62	5.39	8-500-02	4.3

Item No.	Working Load Limit tons*	Sheave Dia. inch	Wire Rope Size		Dimensions (mm)									Replacement Sheave	N.W. Kg
			mm	inch	B	C	R	E	F	G	H	L	K		
8-504-02	2	3	8-10	$\frac{5}{16}$ ~ $\frac{3}{8}$	35	64	205	64	14	75	124	219	137	8-500-02	1.9

*Minimum Ultimate Load is 4 times the Working Load Limit.



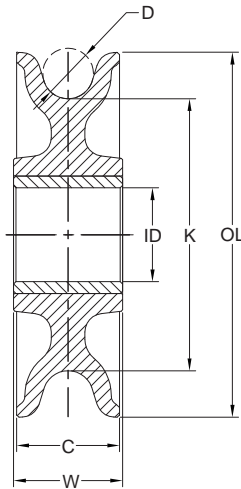
- YOKE blocks are manufactured from the highest quality tensile steel.
- YOKE blocks are designed with a safety factor of 4 : 1.
- YOKE blocks are supplied with model number, wire diameter and working load limit.
- YOKE blocks are supplied with test certs and batch numbers for ease of traceability.
- YOKE blocks are manufactured with bronze bushings and grease fitting for ease of use and extended sheave life.

Snatch Block

Item No.	Working Load Limit tons*	Sheave Dia. inch	Wire Rope Size		Dimensions (inch)								Replacement Sheave	N.W. Lbs
			mm	inch	E	G	I	K	L	OL	P	T		
8-506-02	2	4.5	10-13	$\frac{3}{8}$ ~ $\frac{1}{2}$	4.21	4.25	0.98	9.92	12.99	15.04	0.98	0.86	8-500-04	10.6

Item No.	Working Load Limit tons*	Sheave Dia. inch	Wire Rope Size		Dimensions (mm)								Replacement Sheave	N.W. Kg
			mm	inch	E	G	I	K	L	OL	P	T		
8-506-02	2	4.5	10-13	$\frac{3}{8}$ ~ $\frac{1}{2}$	107	180	25	252	330	382	25	22	8-500-04	4.8

*Minimum Ultimate Load is 4 times the Working Load Limit.



- Yoke Sheave are manufactured from the highest quality tensile steel.
- Yoke Sheave are available for wire rope sizes 5/16" to 1-1/8".
- Yoke Sheave are supplied with test certs and batch numbers for ease of traceability.
- Yoke Sheave are manufactured with bronze bushings and grease fitting for ease of use and extended sheave life.
- Yoke offers custom blocks designs upon request.

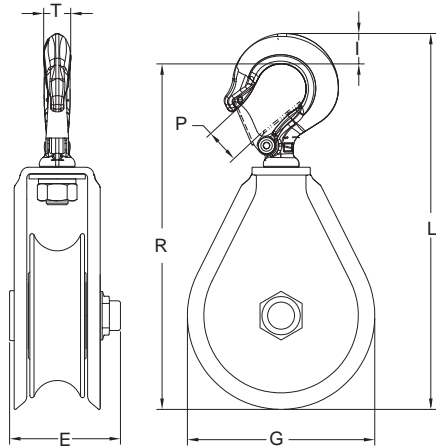
Sheaves For Snatch Block , Bronze Bushing

Item No.	Sheave Dia.		Wire Rope Size		Dimensions (inch)					N.W.	
	inch	mm	inch		C	D	ID	K	OL	W	Lbs
8-500-02	3	8-10	5/16 ~ 3/8		0.87	0.39	0.75	2.24	2.95	0.94	1.3
8-500-04	4.5	10-13	3/8 ~ 1/2		1.38	0.55	0.98	3.03	4.13	1.46	3.7
8-500-08	6	16-19	5/8 ~ 3/4		1.65	0.79	1.50	4.37	5.87	1.73	5.9
8-500-0808	8	16-19	5/8 ~ 3/4		1.65	0.79	1.50	6.50	8.00	1.73	14.6
8-500-12	6	19-22	3/4 ~ 7/8		2.13	0.94	2.01	4.25	5.91	2.32	9.2
8-500-1208	8	19-22	3/4 ~ 7/8		2.13	0.94	2.01	6.30	7.87	2.32	13.9
8-500-1210	10	19-22	3/4 ~ 7/8		2.13	0.94	2.01	10.40	12.00	2.32	35.9
8-500-15	8	19-22	3/4 ~ 7/8		2.13	0.94	2.01	6.30	7.87	2.32	13.9
8-500-1510	10	19-22	3/4 ~ 7/8		2.13	0.94	2.01	8.40	10.00	2.32	26.7
8-500-1512	12	19-22	3/4 ~ 7/8		2.13	0.94	2.01	10.40	12.00	2.32	35.9
8-500-20	8	25-29	1 ~ 1 3/8		2.36	1.22	2.24	5.91	7.87	2.48	15.4
8-500-2010	10	25-29	1 ~ 1 3/8		2.36	1.22	2.24	8.00	10.00	2.48	24.0
8-500-2012	12	25-29	1 ~ 1 3/8		2.36	1.22	2.24	10.00	12.00	2.48	33.5

★ Minimum Ultimate Load is 4 times the Working Load Limit.

Item No.	Sheave Dia.		Wire Rope Size		Dimensions (mm)					N.W.	
	inch	mm	inch		C	D	ID	K	OL	W	Kg
8-500-02	3	8-10	5/16 ~ 3/8		22	10	19	57	75	24	0.6
8-500-04	4.5	10-13	3/8 ~ 1/2		35	14	25	77	105	37	1.7
8-500-08	6	16-19	5/8 ~ 3/4		42	20	38	111	149	44	2.7
8-500-0808	8	16-19	5/8 ~ 3/4		42	20	38	166	204	44	6.6
8-500-12	6	19-22	3/4 ~ 7/8		54	24	51	108	150	59	4.2
8-500-1208	8	19-22	3/4 ~ 7/8		54	24	51	160	200	59	6.3
8-500-1210	10	19-22	3/4 ~ 7/8		54	24	51	214	254	59	12.1
8-500-15	8	19-22	3/4 ~ 7/8		54	24	51	160	200	59	6.3
8-500-1510	10	19-22	3/4 ~ 7/8		54	24	51	214	254	59	12.1
8-500-1512	12	19-22	3/4 ~ 7/8		54	24	51	265	305	59	16.3
8-500-20	8	25-29	1 ~ 1 3/8		60	31	57	150	200	63	7.0
8-500-2010	10	25-29	1 ~ 1 3/8		60	31	57	204	254	63	10.9
8-500-2012	12	25-29	1 ~ 1 3/8		60	31	57	255	305	63	15.2

★ Minimum Ultimate Load is 4 times the Working Load Limit.



- Manufactured with one piece all steel construction.
- Supplied with forged steel hook and latch.
- Block is manufactured with the highest quality bearings available.
- Block is supplied with pressure lubed grease fittings.
- Available for either synthetic or steel rope applications.

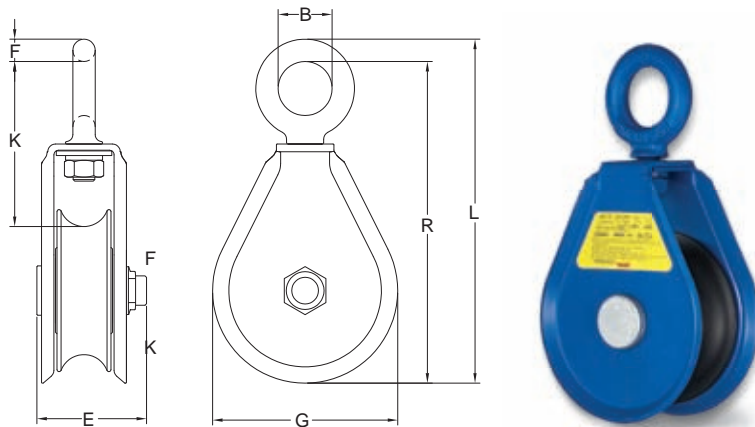
Hay Fork Pulley With Swivel Hook

Item No.	Working Load Limit tons*	Sheave Dia. inch	Rope Code	Rope Size inch	Dimensions (inch)							N.W. Lbs
					E	G	I	R	L	P	T	
8-512-01MR	1	4.5	Manila Rope	1-1/4	2.79	4.72	0.75	8.7	9.44	0.95	0.63	6.8
8-512-01WL	1	4.5	Wire Line	3/8 ~ 1/2	2.79	4.72	0.75	8.7	9.44	0.95	0.63	7.1
8-512-02MR	2	6	Manila Rope	1-1/2	3.46	6.88	1.00	12.0	13.20	1.06	0.88	14.3
8-512-02WL	2	6	Wire Line	5/8	3.46	6.88	1.00	12.0	13.20	1.06	0.88	14.1

★ Minimum Ultimate Load is 4 times the Working Load Limit.

Item No.	Working Load Limit tons*	Sheave Dia. inch	Rope Code	Rope Size mm	Dimensions (mm)							N.W. Kg
					E	G	I	R	L	P	T	
8-512-01MR	1	4.5	Manila Rope	32	71	120	19	221	240	24	16	3.1
8-512-01WL	1	4.5	Wire Line	10 ~ 13	71	120	19	221	240	24	16	3.2
8-512-02MR	2	6	Manila Rope	38	88	175	25	307	336	27	22	6.5
8-512-02WL	2	6	Wire Line	16	88	175	25	307	336	27	22	6.4

★ Minimum Ultimate Load is 4 times the Working Load Limit.



- Manufactured with one piece all steel construction.
- Supplied with forged steel swivel eye.
- Block is manufactured with the highest quality bearings available.
- Block is supplied with pressure lube grease fitting.
- Available for synthetic and steel rope applications.

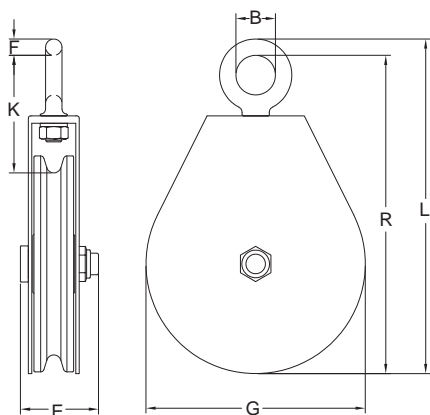
Hay Fork Pulley With Swivel Eye

Item No.	Working Load Limit tons*	Sheave Dia. inch	Rope Code	Rope Size inch	Dimensions (inch)						N.W. Lbs	
					B	K	R	E	F	G		L
8-514-01MR	1	4.5	Manila Rope	1- ¹ / ₄	1.38	4.21	8.18	2.79	0.55	4.72	8.77	6.6
8-514-01WL	1	4.5	Wire Line	³ / ₈ ~ ¹ / ₂	1.38	4.33	8.18	2.79	0.55	4.72	8.77	6.8
8-514-02MR	2	6	Manila Rope	1- ¹ / ₂	1.45	5.19	11.00	3.46	0.66	6.88	11.70	13.4
8-514-02WL	2	6	Wire Line	⁵ / ₈	1.45	5.47	11.00	3.46	0.66	6.88	11.70	13.2

★ Minimum Ultimate Load is 4 times the Working Load Limit.

Item No.	Working Load Limit tons*	Sheave Dia. inch	Rope Code	Rope Size mm	Dimensions (mm)						N.W. Kg	
					B	K	R	E	F	G		L
8-514-01MR	1	4.5	Manila Rope	32	35	107	208	71	14	120	223	3.0
8-514-01WL	1	4.5	Wire Line	10 ~ 13	35	110	208	71	14	120	223	3.1
8-514-02MR	2	6	Manila Rope	38	37	132	280	88	17	175	298	6.1
8-514-02WL	2	6	Wire Line	16	37	139	280	88	17	175	298	6.0

★ Minimum Ultimate Load is 4 times the Working Load Limit.



- Manufactured with one piece all steel construction.
- Supplied with forged steel eye.
- Block is manufactured with the highest quality bearings available.
- Block is supplied with pressure lube grease fittings.
- Available for steel wire rope applications.

Hay Fork Pulley With Swivel Eye

Item No.	Working Load Limit tons*	Sheave Dia. inch	Rope Code Wire Line	Rope Size inch	Dimensions (inch)						N.W. Lbs	
					B	K	R	E	F	G		L
8-515-02WL	2	8		1/2	1.38	4.09	11.1	2.79	0.55	7.63	11.77	12.6

★ Minimum Ultimate Load is 4 times the Working Load Limit.

Item No.	Working Load Limit tons*	Sheave Dia. inch	Rope Code Wire Line	Rope Size mm	Dimensions (mm)						N.W. Kg	
					B	K	R	E	F	G		L
8-515-02WL	2	8		13	35	104	284	71	14	194	299	5.7

★ Minimum Ultimate Load is 4 times the Working Load Limit.