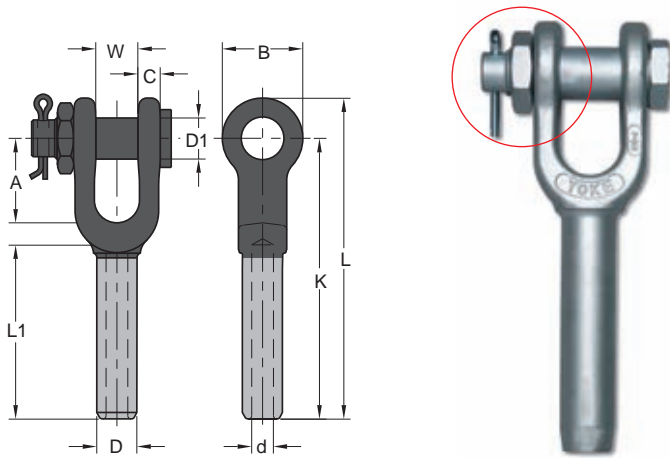


YOKE



**U.S. RIGGING
SUPPLY**





- YOKE 8-730 Opened Swage Sockets are forged from special bar quality carbon steel with very finest hardness controlled by spheroidize annealing.
- YOKE Swage Sockets properly applied have an efficiency rating of 100% based on the catalog strength of wire rope.
- YOKE Swage Sockets are recommended for use with 6x19, 6x37, and IWRC wire rope. They are approved for use with galvanized bridge rope.
- YOKE Swage Sockets are not recommended for use on fiber core or lang lay rope.

All slings swaged with Sockets shall be proof loaded in accordance with ANSI B30.9

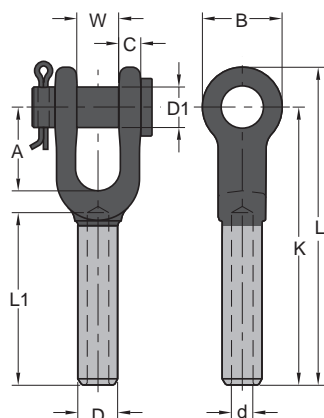
Forged Open Swage Wire Rope Socket, with Safety Bolt Pin

Item No.		Rope Size	Before Swage Dimensions (inch)										Max. After Swage Dim.	N.W.
S.C.*	Galvanized	inch	L	D	B	D1	d	L1	W	K	C	A	inch	Lbs
8-730-06	8-730-G06	1/4	4.80	0.50	1.38	0.67	0.27	2.17	0.67	4.02	0.35	1.50	0.46	0.6
8-730-08	8-730-G08	5/16	6.26	0.77	1.65	0.79	0.34	3.15	0.79	5.31	0.47	1.77	0.71	1.4
8-730-10	8-730-G10	3/8	6.26	0.77	1.65	0.79	0.41	3.15	0.79	5.31	0.47	1.77	0.71	1.6
8-730-11	8-730-G11	7/16	7.83	0.98	2.00	0.98	0.48	4.33	1.00	6.85	0.55	1.96	0.91	2.4
8-730-13	8-730-G13	1/2	7.83	0.98	2.00	1.19	0.55	4.33	1.00	6.85	0.55	1.96	0.91	2.4
8-730-14	8-730-G14	9/16	9.45	1.25	2.36	1.19	0.62	5.31	1.22	8.27	0.68	2.25	1.16	5.2
8-730-16	8-730-G16	5/8	9.45	1.25	2.36	1.19	0.67	5.31	1.22	8.27	0.68	2.25	1.16	5.0
8-730-19	8-730-G19	3/4	11.61	1.55	2.75	1.38	0.82	6.34	1.50	10.07	0.79	2.75	1.42	8.9
8-730-22	8-730-G22	7/8	13.39	1.70	3.15	1.63	0.94	7.44	1.77	11.81	0.94	3.23	1.55	13.0
8-730-26	8-730-G26	1	15.55	1.98	3.94	2.00	1.06	8.50	2.00	13.58	1.02	3.86	1.80	20.2
8-730-28	8-730-G28	1 1/8	17.40	2.25	4.06	2.20	1.19	9.37	2.25	15.08	1.19	4.26	2.05	28.3
8-730-32	8-730-G32	1 1/4	19.06	2.53	4.45	2.48	1.33	10.59	2.48	16.50	1.34	4.72	2.30	39.2
8-730-36	8-730-G36	1 3/8	21.02	2.80	5.00	2.44	1.45	11.69	2.52	18.23	1.38	5.20	2.56	48.0
8-730-38	8-730-G38	1 1/2	22.88	3.08	5.51	2.52	1.61	12.40	3.00	19.75	1.69	5.75	2.81	63.6
8-730-45	8-730-G45	1 3/4	26.53	3.39	6.70	3.50	1.86	14.88	3.50	23.00	2.11	6.75	3.06	97.0
8-730-50	8-730-G50	2	31.44	3.94	8.00	3.75	2.11	16.96	4.00	26.88	2.37	8.00	3.56	161.0

★ S.C. = Self Colored.

Item No.		Rope Size	Before Swage Dimensions (mm)										Max. After Swage Dim.	N.W.
S.C.*	Galvanized	mm	L	D	B	D1	d	L1	W	K	C	A	mm	Kg
8-730-06	8-730-G06	6- 7	122	13	35	18	7	55	17	102	9	38	12	0.3
8-730-08	8-730-G08	8	159	20	42	21	9	80	20	135	12	45	18	0.6
8-730-10	8-730-G10	9-10	159	20	42	21	10	80	20	135	12	45	18	0.7
8-730-11	8-730-G11	11-12	199	25	50	25	12	110	25	174	14	50	23	1.1
8-730-13	8-730-G13	13	199	25	50	25	14	110	25	174	14	50	23	1.1
8-730-14	8-730-G14	14-15	240	32	60	30	16	135	31	210	17	57	30	2.4
8-730-16	8-730-G16	16	240	32	60	30	17	135	31	210	17	57	30	2.3
8-730-19	8-730-G19	18-20	295	39	70	35	21	161	38	256	20	70	36	4.0
8-730-22	8-730-G22	22-23	340	43	80	41	24	189	45	300	24	82	40	5.9
8-730-26	8-730-G26	24-25	395	50	100	51	27	216	50	345	26	98	46	9.1
8-730-28	8-730-G28	28	442	57	103	57	30	238	57	383	30	108	52	12.8
8-730-32	8-730-G32	32	484	64	113	64	34	269	63	419	34	120	59	17.8
8-730-36	8-730-G36	35-36	534	71	127	64	37	297	64	463	35	132	65	21.8
8-730-38	8-730-G38	38	581	78	140	70	41	315	76	502	43	146	72	28.9
8-730-45	8-730-G45	44-45	674	86	170	89	47	378	89	584	54	171	78	44.0
8-730-50	8-730-G50	48-51	798	100	203	95	54	431	101	682	60	203	91	73.1

★ S.C. = Self Colored.



- YOKE 8-731 Opened Swage Sockets are forged from special bar quality carbon steel with very finest hardness controlled by spheroidize annealing.
- YOKE Swage Sockets properly applied have an efficiency rating of 100% based on the catalog strength of wire rope.
- YOKE Swage Sockets are recommended for use with 6x19, 6x37, and IWRC wire rope. They are approved for use with galvanized bridge rope.
- YOKE Swage Sockets are not recommended for use on fiber core or lang lay rope.

All slings swaged with Sockets shall be proof loaded in accordance with ANSI B30.9

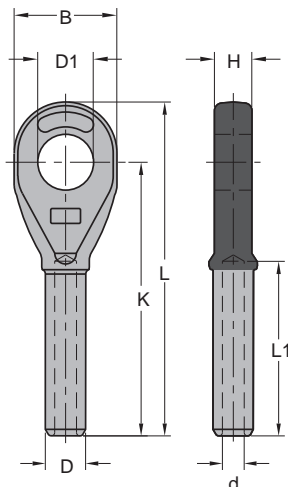
Forged Open Swage Socket, with Round Pin

Item No.		Rope Size	Before Swage Dimensions (inch)										Max. After Swage Dim.	N.W.
S.C.*	Galvanized	inch	L	D	B	D1	d	L1	W	K	C	A	inch	Lbs
8-731-06	8-731-G06	1/4	4.80	0.50	1.38	0.69	0.27	2.17	0.67	4.02	0.35	1.50	0.46	0.5
8-731-08	8-731-G08	5/16	6.26	0.77	1.65	0.81	0.34	3.15	0.79	5.31	0.47	1.77	0.71	1.4
8-731-10	8-731-G10	3/8	6.26	0.77	1.65	0.81	0.41	3.15	0.79	5.31	0.47	1.77	0.71	1.3
8-731-11	8-731-G11	7/16	7.83	0.98	2.00	1.00	0.48	4.33	1.00	6.85	0.55	1.96	0.91	2.6
8-731-13	8-731-G13	1/2	7.83	0.98	2.00	1.00	0.55	4.33	1.00	6.85	0.55	1.96	0.91	2.1
8-731-14	8-731-G14	9/16	9.45	1.25	2.36	1.19	0.62	5.31	1.22	8.27	0.68	2.25	1.16	4.7
8-731-16	8-731-G16	5/8	9.45	1.25	2.36	1.19	0.67	5.31	1.22	8.27	0.68	2.25	1.16	4.6
8-731-19	8-731-G19	3/4	11.61	1.55	2.75	1.38	0.82	6.34	1.50	10.07	0.79	2.75	1.42	8.4
8-731-22	8-731-G22	7/8	13.39	1.70	3.15	1.63	0.94	7.44	1.77	11.81	0.94	3.23	1.55	11.9
8-731-26	8-731-G26	1	15.55	1.98	3.94	2.00	1.06	8.50	2.00	13.58	1.02	3.86	1.80	19.4
8-731-28	8-731-G28	1 1/8	17.40	2.25	4.06	2.20	1.19	9.37	2.25	15.08	1.19	4.26	2.05	27.8
8-731-32	8-731-G32	1 1/4	19.06	2.53	4.45	2.25	1.33	10.59	2.48	16.50	1.34	4.72	2.30	37.9
8-731-36	8-731-G36	1 3/8	21.02	2.80	5.00	2.50	1.45	11.69	2.52	18.23	1.38	5.20	2.56	45.9
8-731-38	8-731-G38	1 1/2	22.88	3.08	5.51	2.52	1.61	12.40	3.00	19.75	1.69	5.75	2.81	58.5
8-731-45	8-731-G45	1 3/4	26.53	3.39	6.70	3.50	1.86	14.88	3.50	23.00	2.11	6.75	3.06	88.8
8-731-50	8-731-G50	2	31.44	3.94	8.00	3.75	2.11	16.96	4.00	26.88	2.37	8.00	3.56	146.3

★ S.C. = Self Colored.

Item No.		Rope Size	Before Swage Dimensions (mm)										Max. After Swage Dim.	N.W.
S.C.*	Galvanized	mm	L	D	B	D1	d	L1	W	K	C	A	mm	Kg
8-731-06	8-731-G06	6- 7	122	13	35	18	7.0	55	17	102	9	38	12	0.2
8-731-08	8-731-G08	8	159	20	42	21	9.0	80	20	135	12	45	18	0.7
8-731-10	8-731-G10	9-10	159	20	42	21	10.0	80	20	135	12	45	18	0.6
8-731-11	8-731-G11	11-12	199	25	50	25	12.0	110	25	174	14	50	23	1.2
8-731-13	8-731-G13	13	199	25	50	25	14.0	110	25	174	14	50	23	0.9
8-731-14	8-731-G14	14-15	240	32	60	30	16.0	135	31	210	17	70	30	2.1
8-731-16	8-731-G16	16	240	32	60	30	17.0	135	31	210	17	57	30	2.1
8-731-19	8-731-G19	18-20	295	39	70	35	21.0	161	38	256	20	70	36	3.8
8-731-22	8-731-G22	22-23	340	43	80	41	24.0	189	45	300	24	82	40	5.4
8-731-26	8-731-G26	24-25	395	50	100	51	27.0	216	50	345	26	98	46	8.8
8-731-28	8-731-G28	28	442	57	103	57	30.0	238	57	383	30	108	52	12.6
8-731-32	8-731-G32	32	484	64	113	64	34.0	269	63	419	34	120	59	17.2
8-731-36	8-731-G36	35-36	534	71	127	64	37.0	297	64	463	35	132	65	20.8
8-731-38	8-731-G38	38	581	78	140	70	41.0	315	76	502	43	146	72	26.5
8-731-45	8-731-G45	44-45	674	86	170	89	47.2	378	89	584	54	171	78	40.3
8-731-50	8-731-G50	48-51	798	100	203	95	54.1	431	101	682	60	203	91	66.4

★ S.C. = Self Colored.



- YOKE 8-732 Closed Swage Sockets are forged from special bar quality carbon steel with very finest hardness controlled by spheroidize annealing.
- YOKE Swage Sockets properly applied have an efficiency rating of 100% based on the catalog strength of wire rope.
- YOKE Swage Sockets are recommended for use with 6x19, 6x37, and IWRC wire rope. They are approved for use with galvanized bridge rope.
- YOKE Swage Sockets are not recommended for use on fiber core or lang lay rope.

All slings swaged with Sockets shall be proof loaded in accordance with ANSI B30.9

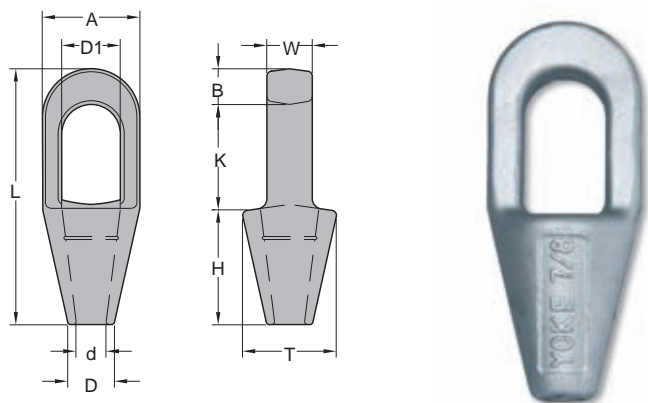
Forged Closed Swage Wire Rope Socket.

Item No.		Rope Size	Before Swage Dimensions (inch)								Max. After Swage Dim.	N.W.
S.C.*	Galvanized	inch	L	D	B	D1	d	L1	H	K	inch	Lbs
8-732-06	8-732-G06	1/4	4.33	0.50	1.38	0.75	0.27	2.13	0.50	3.50	0.46	0.3
8-732-08	8-732-G08	5/16	5.50	0.77	1.63	0.89	0.34	3.15	0.67	4.50	0.71	0.8
8-732-10	8-732-G10	3/8	5.50	0.77	1.63	0.89	0.41	3.15	0.67	4.50	0.71	0.7
8-732-11	8-732-G11	7/16	6.93	0.98	2.00	1.06	0.48	4.25	0.89	5.75	0.91	1.5
8-732-13	8-732-G13	1/2	6.93	0.98	2.00	1.06	0.55	4.25	0.89	5.75	0.91	1.4
8-732-14	8-732-G14	9/16	8.70	1.25	2.40	1.26	0.62	5.31	1.14	7.28	1.16	3.1
8-732-16	8-732-G16	5/8	8.70	1.25	2.40	1.26	0.67	5.31	1.14	7.28	1.16	2.9
8-732-19	8-732-G19	3/4	10.20	1.55	2.87	1.44	0.82	6.38	1.31	8.54	1.42	4.8
8-732-22	8-732-G22	7/8	11.97	1.70	3.11	1.70	0.94	7.44	1.50	10.16	1.55	6.8
8-732-26	8-732-G26	1	13.46	1.98	3.62	2.05	1.06	8.50	1.77	11.54	1.80	10.6
8-732-28	8-732-G28	1 1/8	15.04	2.25	4.02	2.32	1.19	9.57	2.00	12.72	2.05	14.8
8-732-32	8-732-G32	1 1/4	16.97	2.53	4.50	2.56	1.33	10.63	2.25	14.33	2.30	22.3
8-732-36	8-732-G36	1 3/8	18.70	2.80	5.00	2.56	1.45	11.69	2.25	15.83	2.56	28.4
8-732-38	8-732-G38	1 1/2	20.12	3.08	5.50	2.81	1.61	12.75	2.52	17.01	2.81	37.3
8-732-45	8-732-G45	1 3/4	23.54	3.39	6.26	3.54	1.86	14.88	3.00	20.00	3.06	53.6
8-732-50	8-732-G50	2	27.64	3.94	7.24	3.82	2.13	17.01	3.27	23.00	3.56	89.3

★ S.C. = Self Colored.

Item No.		Rope Size	Before Swage Dimensions (mm)								Max. After Swage Dim.	N.W.
S.C.*	Galvanized	mm	L	D	B	D1	d	L1	H	K	mm	kg
8-732-06	8-732-G06	6- 7	110	13	35	19	7.0	54	13	89	12	0.2
8-732-08	8-732-G08	8	140	20	41	22	9.0	80	17	114	18	0.3
8-732-10	8-732-G10	9-10	140	20	41	22	11.0	80	17	114	18	0.3
8-732-11	8-732-G11	11-12	176	25	51	27	12.0	108	22	146	23	0.7
8-732-13	8-732-G13	13	176	25	51	27	14.0	108	22	146	23	0.6
8-732-14	8-732-G14	14-15	221	32	61	32	16.0	135	29	185	30	1.4
8-732-16	8-732-G16	16	221	32	61	32	17.0	135	29	185	30	1.3
8-732-19	8-732-G19	18-20	259	39	73	36	21.0	162	33	217	36	2.2
8-732-22	8-732-G22	22-23	304	43	79	43	24.0	189	38	258	39	3.1
8-732-26	8-732-G26	24-25	342	50	92	52	27.0	216	45	293	46	4.8
8-732-28	8-732-G28	28	382	57	102	59	30.0	243	51	323	52	6.7
8-732-32	8-732-G32	32	431	64	114	65	34.0	270	57	364	58	10.1
8-732-36	8-732-G36	35-36	475	71	127	65	37.0	297	57	402	65	12.9
8-732-38	8-732-G38	38	511	78	140	71	41.0	323	64	432	71	16.9
8-732-45	8-732-G45	44-45	598	86	159	90	47.2	378	76	508	78	24.3
8-732-50	8-732-G50	48-51	702	100	184	97	54.1	432	83	584	90	40.5

★ S.C. = Self Colored.



- YOKE Spelter Sockets are forged from special bar quality carbon steel with very finest hardness controlled.
- YOKE Spelter Sockets properly applied have an efficiency rating of 100% based on the catalog strength of wire rope.
- Socket size 1/4" thru 3/4" use one groove, 7/8" thru 1-1/2" use 2 grooves.
- Closed Spelter Sockets meet the performance requirements of Federal Specification RR-S-550D, Type B.

In accordance with ASME B30.9 all assembly slings with poured Spelter Sockets, shall be proof loaded.

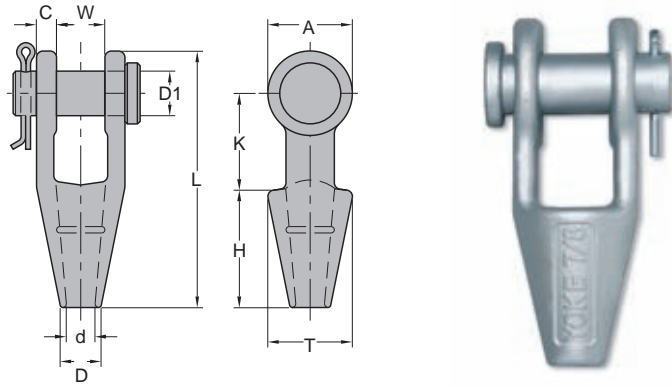
Forged Closed Spelter Wire Rope Socket.

Item No.		Rope Dia.	Structural Strand Dia.	Dimensions (inch)										N.W.
S.C.*	Galvanized	inch	inch	L	B	A	D1	d	D	T	H	W	K	Lbs
8-735-06	8-735-G06	1/4	--	4.50	0.50	1.50	0.88	0.39	0.71	1.50	2.25	0.50	1.73	0.7
8-735-10	8-735-G10	5/16~3/8	--	4.88	0.62	1.69	0.98	0.50	0.83	1.70	2.25	0.71	2.00	0.8
8-735-13	8-735-G13	7/16~1/2	--	5.43	0.71	2.00	1.19	0.55	0.98	1.96	2.52	0.87	2.25	1.5
8-735-16	8-735-G16	9/16~5/8	1/2	6.31	0.83	2.63	1.41	0.71	1.12	2.50	3.00	0.98	2.52	2.6
8-735-19	8-735-G19	3/4	9/16 ~ 5/8	7.58	1.06	3.00	1.61	0.81	1.26	2.75	3.50	1.26	3.00	4.3
8-735-22	8-735-G22	7/8	11/16 ~ 3/4	8.75	1.26	3.63	1.89	0.94	1.50	3.46	3.98	1.50	3.50	7.9
8-735-26	8-735-G26	1	13/16 ~ 7/8	9.88	1.38	4.13	2.28	1.14	1.77	3.78	4.50	1.77	4.02	10.5
8-735-28	8-735-G28	1 1/8	15/16 ~ 1	10.98	1.50	4.50	2.56	1.26	2.00	4.12	5.00	2.00	4.50	15.2
8-735-36	8-735-G36	1 1/4~1 3/8	1 1/16 ~ 1 1/8	12.31	1.63	5.31	2.80	1.50	2.25	4.75	5.50	2.25	5.00	22.7
8-735-38	8-735-G38	1 1/2	1 3/16 ~ 1 1/4	13.94	1.93	5.31	3.19	1.63	2.75	5.25	6.00	2.52	6.00	30.9

★ S.C. = Self Colored.

Item No.		Rope Dia.	Structural Strand Dia.	Dimensions (mm)										N.W.
S.C.*	Galvanized	mm	mm	L	B	A	D1	d	D	T	H	W	K	Kg
8-735-06	8-735-G06	6- 7	--	114	13	38	22	10	18	38	57	13	44	0.3
8-735-10	8-735-G10	8-10	--	124	16	43	25	13	21	43	57	18	51	0.4
8-735-13	8-735-G13	11-13	--	138	18	51	30	14	25	50	64	22	57	0.7
8-735-16	8-735-G16	14-16	13	160	21	67	36	18	28	63	76	25	64	1.2
8-735-19	8-735-G19	18-20	14-16	192	27	76	41	21	32	70	89	32	76	2.0
8-735-22	8-735-G22	22-23	18-20	222	32	92	48	24	38	88	101	38	89	3.6
8-735-26	8-735-G26	24-26	22-23	251	35	104	58	29	45	96	114	45	102	4.8
8-735-28	8-735-G28	28-30	24-25	279	38	114	65	32	51	105	127	50	114	6.9
8-735-36	8-735-G36	32-35	26-28	308	41	135	71	38	57	121	140	57	127	10.3
8-735-38	8-735-G38	36-39	30-32	354	49	135	81	41	70	133	152	64	152	14.0

★ S.C. = Self Colored.



- YOKE Spelter Sockets are forged from special bar quality carbon steel with very finest hardness controlled.
- YOKE Spelter Sockets properly applied have an efficiency rating of 100% based on the catalog strength of wire rope.
- Socket size 1/4" thru 3/4" use one groove, 7/8" thru 1-1/2" use 2 grooves.
- Open Spelter Sockets meet the performance requirements of Federal Specification RR-S-550D, Type A.

In accordance with ASME B30.9 all assembly slings with poured Spelter Sockets, shall be proof loaded.

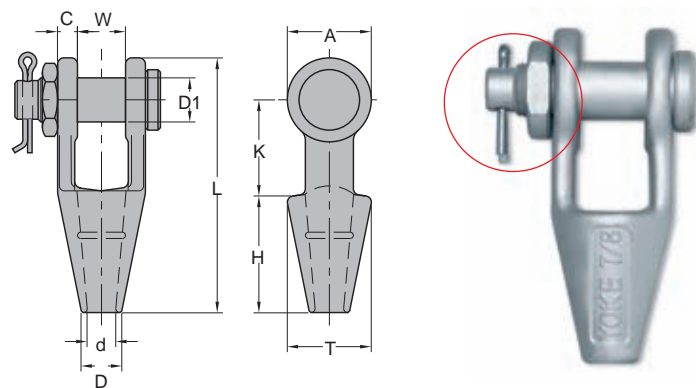
Forged Open Spelter Wire Rope Socket, with Round pin

Item No.		Rope Dia.	Structural Strand Dia.	Dimensions (inch)										N.W.
S.C.*	Galvanized	inch	inch	L	W	D1	d	D	T	H	K	A	C	Lbs
8-734-06	8-734-G06	1/4	--	4.65	0.91	0.67	0.38	0.71	1.54	2.25	1.56	1.31	0.35	1.1
8-734-10	8-734-G10	5/16 ~ 3/8	--	4.84	0.83	0.79	0.51	0.83	1.73	2.25	1.77	1.50	0.44	1.3
8-734-13	8-734-G13	7/16 ~ 1/2	--	5.62	1.00	0.98	0.56	0.98	1.96	2.48	2.13	1.91	0.50	2.3
8-734-16	8-734-G16	9/16 ~ 5/8	1/2	6.77	1.26	1.19	0.70	1.14	2.25	3.00	2.52	2.28	0.55	3.7
8-734-19	8-734-G19	3/4	9/16 ~ 5/8	7.96	1.50	1.38	0.81	1.26	2.64	3.62	3.00	2.64	0.62	5.8
8-734-22	8-734-G22	7/8	11/16 ~ 3/4	9.25	1.77	1.63	0.94	1.50	3.35	4.02	3.50	3.17	0.80	10.4
8-734-26	8-734-G26	1	13/16 ~ 7/8	10.55	2.05	2.00	1.14	1.75	3.75	4.48	4.02	3.78	0.91	16.3
8-734-28	8-734-G28	1 1/8	15/16 ~ 1	11.81	2.25	2.25	1.26	2.00	4.12	5.00	4.62	4.12	1.00	22.0
8-734-36	8-734-G36	1 1/4 ~ 1 3/8	1 1/16 ~ 1 1/8	13.20	2.52	2.50	1.50	2.25	4.72	5.51	5.00	4.75	1.14	32.8
8-734-38	8-734-G38	1 1/2	1 3/16 ~ 1 1/4	15.12	3.00	2.75	1.63	2.75	5.25	6.00	6.00	5.38	1.19	45.9

★ S.C. = Self Colored.

Item No.		Rope Dia.	Structural Strand Dia.	Dimensions (mm)										N.W.
S.C.*	Galvanized	mm	mm	L	W	D1	d	D	T	H	K	A	C	Kg
8-734-06	8-734-G06	6- 7	--	115	23	17	8	18	39	57	40	33	9	0.5
8-734-10	8-734-G10	8-10	--	123	21	20	13	21	44	57	45	38	11	0.6
8-734-13	8-734-G13	11-13	--	142	25	25	15	25	50	63	54	48	13	1.1
8-734-16	8-734-G16	14-16	13	172	32	30	18	29	57	76	64	58	14	1.7
8-734-19	8-734-G19	18-20	14-16	202	38	35	22	32	67	92	76	67	16	2.6
8-734-22	8-734-G22	22-23	18-20	235	45	41	24	38	85	102	89	80	20	4.7
8-734-26	8-734-G26	24-26	22-23	268	52	51	29	44	95	114	102	96	23	7.4
8-734-28	8-734-G28	28-30	24-25	300	57	56	32	51	105	127	117	105	25	10.0
8-734-36	8-734-G36	32-35	26-28	335	64	62	38	57	120	140	127	121	29	14.9
8-734-38	8-734-G38	36-39	30-32	384	76	70	41	70	133	152	152	137	30	20.8

★ S.C. = Self Colored.



- YOKE Spelter Sockets are forged from special bar quality carbon steel with very finest hardness controlled.
- YOKE Spelter Sockets properly applied have an efficiency rating of 100% based on the catalog strength of wire rope.
- Socket size 1/4" thru 3/4" use one groove, 7/8" thru 1-1/2" use 2 grooves.
- Open Spelter Sockets meet the performance requirements of Federal Specification RR-S-550D, Type A.

In accordance with ASME B30.9 all assembly slings with poured Spelter Sockets, shall be proof loaded.

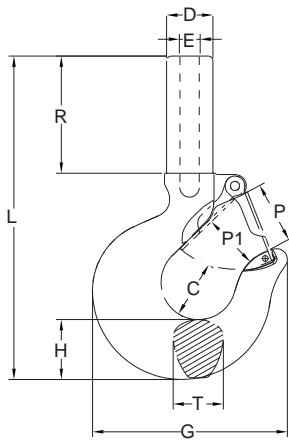
Forged Open Spelter Wire Rope Socket, With Safety Bolt Pin.

Item No.		Rope Dia.	Structural Strand Dia.	Dimensions (inch)										N.W.
S.C.*	Galvanized	inch	inch	L	W	D1	d	D	T	H	K	A	C	Lbs
8-733-06	8-733-G06	1/4	--	4.65	0.91	0.67	0.31	0.71	1.54	2.25	1.56	1.31	0.35	1.5
8-733-10	8-733-G10	5/16 ~ 3/8	--	4.84	0.83	0.79	0.51	0.83	1.73	2.25	1.77	1.50	0.44	2.0
8-733-13	8-733-G13	7/16 ~ 1/2	--	5.62	1.00	0.98	0.56	0.98	1.96	2.48	2.13	1.91	0.50	3.5
8-733-16	8-733-G16	9/16 ~ 5/8	1/2	6.77	1.26	1.19	0.70	1.14	2.25	2.99	2.52	2.28	0.55	4.9
8-733-19	8-733-G19	3/4	9/16 ~ 5/8	7.96	1.50	1.38	0.81	1.26	2.64	3.62	3.00	2.64	0.62	7.5
8-733-22	8-733-G22	7/8	11/16 ~ 3/4	9.25	1.77	1.63	0.94	1.50	3.35	4.02	3.50	3.17	0.80	11.9
8-733-26	8-733-G26	1	13/16 ~ 7/8	10.55	2.05	2.00	1.14	1.75	3.75	4.48	4.02	3.78	0.91	18.7
8-733-28	8-733-G28	1 1/8	15/16 ~ 1	11.81	2.25	2.25	1.26	2.00	4.12	5.00	4.62	4.12	1.00	25.6
8-733-36	8-733-G36	1 1/4 ~ 1 3/8	1 1/16 ~ 1 1/8	13.20	2.52	2.50	1.50	2.25	4.72	5.51	5.00	4.75	1.14	35.2
8-733-38	8-733-G38	1 1/2	1 3/16 ~ 1 1/4	15.12	2.99	2.75	1.63	2.75	5.25	5.98	5.98	5.38	1.19	52.9

★ S.C. = Self Colored.

Item No.		Rope Dia.	Structural Strand Dia.	Dimensions (mm)										N.W.
S.C.*	Galvanized	mm	mm	L	W	D1	d	D	T	H	K	A	C	Kg
8-733-06	8-733-G06	6- 7	--	115	23	17	8	18	39	57	40	33	9	0.7
8-733-10	8-733-G10	8-10	--	123	21	20	13	21	44	57	45	38	11	0.9
8-733-13	8-733-G13	11-13	--	142	25	25	15	25	50	63	54	48	13	1.6
8-733-16	8-733-G16	14-16	13	172	32	30	18	29	57	76	64	58	14	2.2
8-733-19	8-733-G19	18-20	14-16	202	38	35	22	32	67	92	76	67	16	3.4
8-733-22	8-733-G22	22-23	18-20	235	45	41	24	38	85	102	89	80	20	5.4
8-733-26	8-733-G26	24-26	22-23	268	52	51	29	44	95	114	102	96	23	8.5
8-733-28	8-733-G28	28-30	24-25	300	57	56	32	51	105	127	117	105	25	11.6
8-733-36	8-733-G36	32-35	26-28	335	64	62	38	57	120	140	127	121	29	16.0
8-733-38	8-733-G38	36-39	30-32	384	76	70	41	70	133	152	152	137	30	24.0

★ S.C. = Self Colored.



- Yoke Swaging Hoist Hooks are forged from special bar quality carbon steel with very special Quenched and Tempered.
- Yoke Swaging Hoist Hooks properly applied have an efficiency rating of 95% based on the catalog strength of wire rope.
- Yoke Swaging Hoist Hooks are recommended for use with 6 x 19 or 6 x 37, IPS or XIP, FC or IWRC wire rope.
- Yoke Swaging Hoist Hooks are not recommended for use on fiber core or lang lay rope.

All slings swaged with Sockets shall be proof loaded in accordance with ANSI B30.9

Swaging Hoist Hook

Item No.		Rope Size	Hook Feature code	Working Load Limit	Dimensions (inch)										Max. After Swage Dim.	N.W.
with latch	without latch	inch		tons*	C	E	D	T	P	P1	G	R	H	L	inch	Lbs
8-739.SC-0075	8-739.SC/0-0075	3/6	AA	0.4	0.97	0.44	0.70	0.63	1.02	0.95	3.07	2.00	0.75	5.32	0.40	0.7
8-739.SC-01	8-739.SC/0-01	1/4	BB	0.7	0.97	0.50	0.90	0.71	1.06	1.00	3.15	2.30	0.87	5.75	0.46	0.9
8-739.SC-015	8-739.SC/0-015	5/16	CC	1.1	1.03	0.67	1.02	0.88	1.14	1.06	3.58	2.60	1.00	6.46	0.58	1.3
8-739.SC-02	8-739.SC/0-02	5/16	DD	1.1	1.03	0.77	1.14	0.94	1.22	1.18	4.02	2.80	1.18	7.28	0.71	1.8
8-739.SC-02D	8-739.SC/0-02D	3/8	DD	1.6	1.16	0.77	1.14	0.94	1.22	1.18	4.02	2.80	1.18	7.28	0.71	1.8
8-739.SC-03	8-739.SC/0-03	7/16	EE	2.1	1.53	0.98	1.18	1.31	1.61	1.42	5.12	3.40	1.46	8.89	0.91	3.7
8-739.SC-03D	8-739.SC/0-03D	1/2	EE	2.8	1.53	0.98	1.18	1.31	1.61	1.42	5.12	3.40	1.46	8.89	0.91	3.5
8-739.SC-05	8-739.SC/0-05	9/16	FF	3.5	1.94	1.25	1.49	1.66	2.13	1.69	6.54	3.80	1.82	10.98	1.16	7.5
8-739.SC-05D	8-739.SC/0-05D	5/8	FF	4.3	1.94	1.25	1.49	1.66	2.13	1.69	6.54	3.80	1.82	10.98	1.16	7.3
8-739.SC-075	8-739.SC/0-075	3/4	GG	6.2	2.46	1.53	1.77	1.88	2.40	2.24	7.72	5.00	2.28	12.91	1.42	12.8
8-739.SC-10	8-739.SC/0-10	7/8	HH	8.3	2.59	1.70	2.00	2.19	2.83	2.44	8.70	5.00	2.60	13.54	1.55	18.7
8-739.SC-15	8-739.SC/0-15	1	JJ	11.0	2.81	1.98	2.63	2.69	3.39	3.19	10.91	5.80	3.01	16.97	1.80	34.1
8-739.SC-20	8-739.SC/0-20	1 1/8	KK	14.0	3.44	2.25	2.75	3.00	3.50	3.27	13.90	10.00	3.62	23.07	2.05	66.4

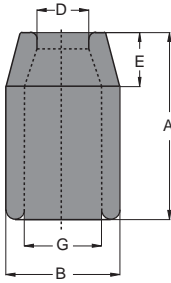
★ S.C. = Self Colored.

Item No.		Rope Size	Hook Feature code	Working Load Limit	Dimensions (mm)										Max. After Swage Dim.	N.W.
with latch	without latch	mm		tons*	C	E	D	T	P	P1	G	R	H	L	mm	Kg
8-739.SC-0075	8-739.SC/0-0075	5	AA	0.4	25	11	18	16	26	24	78	51	19	135	10	0.3
8-739.SC-01	8-739.SC/0-01	6-7	BB	0.7	25	13	23	18	27	25	80	58	22	146	12	0.4
8-739.SC-015	8-739.SC/0-015	8	CC	1.1	26	17	26	22	29	27	91	66	25	164	15	0.6
8-739.SC-02	8-739.SC/0-02	8	DD	1.1	29	20	29	24	31	30	102	71	30	185	18	0.8
8-739.SC-02D	8-739.SC/0-02D	9-10	DD	1.6	29	20	29	24	31	30	102	71	30	185	18	0.8
8-739.SC-03	8-739.SC/0-03	11-12	EE	2.1	38	25	30	33	41	36	130	86	38	226	23	1.7
8-739.SC-03D	8-739.SC/0-03D	13	EE	2.8	38	25	30	33	41	36	130	86	38	226	23	1.6
8-739.SC-05	8-739.SC/0-05	14-15	FF	3.5	49	32	38	42	54	43	166	97	46	279	30	3.4
8-739.SC-05D	8-739.SC/0-05D	16	FF	4.3	49	32	38	42	54	43	166	97	46	279	30	3.3
8-739.SC-075	8-739.SC/0-075	18-20	GG	6.2	62	39	45	48	61	57	196	127	58	328	36	5.8
8-739.SC-10	8-739.SC/0-10	22-23	HH	8.3	65	43	51	56	72	62	221	127	66	344	39	8.5
8-739.SC-15	8-739.SC/0-15	24-25	JJ	11.0	71	50	67	68	86	81	277	147	77	431	46	15.5
8-739.SC-20	8-739.SC/0-20	28	KK	14.0	87	57	70	76	89	83	353	254	92	586	52	30.2

★ S.C. = Self Colored.



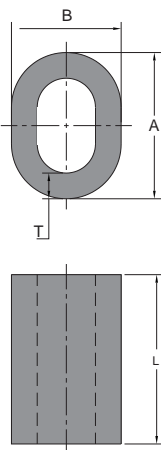
Steel Swage Sleeve.



Item No.	For Rope Size	Before Swage Dimensions (inch)					Max. After Swage Dim.	N.W.
	inch	A	B	D	E	G	inch	Lbs
902-06	1/4	1	0.66	0.31	0.28	0.47	0.57	0.05
902-08	5/16	1.5	0.91	0.38	0.44	0.62	0.75	0.14
902-10	3/8	1.5	0.91	0.47	0.39	0.66	0.75	0.14
902-11	7/16	2	1.22	0.53	0.65	0.85	1.01	0.3
902-13	1/2	2	1.22	0.63	0.56	0.91	1.01	0.4
902-16	5/8	2.75	1.47	0.75	0.63	1.09	1.24	0.6
902-19	3/4	3.19	1.72	0.91	0.84	1.28	1.46	0.9
902-22	7/8	3.56	2.03	1.03	1.00	1.53	1.68	1.3
902-26	1	4	2.28	1.16	1.13	1.72	1.93	2.0
902-28	1 1/8	4.81	2.5	1.28	1.25	1.94	2.13	2.6
902-32	1 1/4	5.19	2.78	1.44	1.41	2.16	2.32	3.6
902-36	1 3/8	5.81	3	1.56	1.56	2.38	2.52	4.2
902-38	1 1/2	6.25	3.25	1.69	1.69	2.63	2.71	5.0
902-45	1 3/4	7.25	3.84	1.94	1.97	3.13	3.10	8.0
902-50	2	8.5	4.38	2.25	2.25	3.63	3.56	11.3
902-58	2 1/4	9.56	5.03	2.50	2.53	4.03	4.12	19.4
902-64	2 1/2	10.50	5.50	2.75	2.81	4.50	4.50	23.5
902-70	2 3/4	11.50	5.75	3.00	3.09	4.75	4.70	28.0
902-75	3	12.00	6.00	3.25	3.38	5.00	4.96	29.4
902-89	3 1/2	14.00	7.00	3.88	3.94	5.84	5.77	46.4
902-95	3 3/4	15.00	7.50	4.06	4.25	6.31	6.23	55.0
902-100	4	16.00	8.13	4.38	4.50	6.81	6.69	68.0
902-115	4 1/2	18.00	9.13	4.88	5.06	7.66	7.45	100.1
902-130	5	20.00	10.52	5.50	5.63	8.73	8.28	145.5
902-150	6	24.00	12.54	6.50	6.75	10.20	9.93	271.2

⚠ Recommended to be used with 6x19, 6x25, 6x29, 6x37 IPS XIP (EIP), FC or IWRC wire rope. If using with any other type of construction or grade of wire rope, it is recommended to make the breaking load test of the swaged termination to prove the adequacy of the assembly to be manufactured.

Steel Duplex Oval Sleeves.

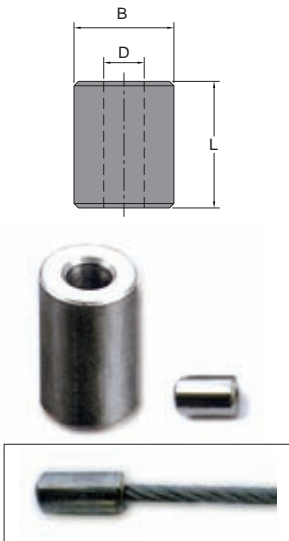


Item No.	For Rope Size	Before Swage Dimensions (inch)				Max. After Swage Dim.	N.W.
	inch	A	B	T	L	inch	Lbs
903-08	5/16	1.08	0.81	0.19	1.25	0.77	0.17
903-10	3/8	1.12	0.81	0.14	1.25	0.77	0.13
903-11	7/16	1.41	1.02	0.19	1.63	1.03	0.31
903-13	1/2	1.44	1.02	0.16	1.63	1.03	0.27
903-14	9/16	1.72	1.23	0.23	2.25	1.29	0.63
903-16	5/8	1.84	1.28	0.20	2.25	1.29	0.54
903-19	3/4	2.16	1.52	0.23	2.63	1.55	0.90
903-22	7/8	2.50	1.75	0.27	2.88	1.80	1.26
903-25	1	2.84	2.00	0.33	3.06	2.05	1.87
903-32	1 1/4	3.50	2.50	0.38	4.06	2.56	3.84

⚠ Recommended to be used with 6x19, 6x25, 6x29, 6x37 IPS XIP (EIP), FC or IWRC wire rope. If using with any other type of construction or grade of wire rope, it is recommended to make the breaking load test of the swaged termination to prove the adequacy of the assembly to be manufactured.

⚠ Just one step will finish the swaging, turning the sleeves (ferrules) 90° and swaging again is not recommended.

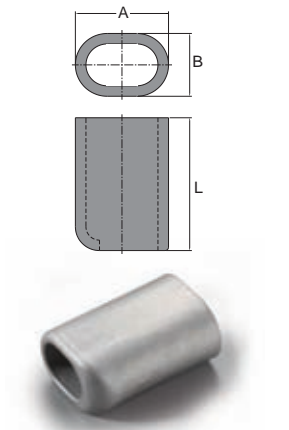
Steel Swage Buttons.



Item No.	For Rope Size	Before Swage Dimensions (inch)			Max. After Swage Dim.	N.W.
		inch	B	D		
903Y-03	1/8	0.44	0.14	0.50	0.40	0.02
903Y-05	3/16	0.56	0.20	0.70	0.52	0.04
903Y-06	1/4	0.63	0.30	1.06	0.58	0.08
903Y-08	5/16	0.88	0.36	1.13	0.77	0.16
903Y-10	3/8	0.88	0.42	1.48	0.77	0.15
903Y-11	7/16	1.13	0.48	1.63	1.03	0.30
903Y-13	1/2	1.31	0.55	1.89	1.16	0.50
903Y-14	9/16	1.44	0.61	2.02	1.29	0.70
903Y-16	5/8	1.56	0.67	2.42	1.42	1.00
903Y-19	3/4	1.69	0.79	2.73	1.55	1.31
903Y-22	7/8	2.00	0.94	3.27	1.80	2.20
903Y-25	1	2.25	1.06	3.67	2.05	3.10
903Y-28	1 1/8	2.56	1.19	4.05	2.30	4.50
903Y-32	1 1/4	2.81	1.33	4.58	2.56	6.51

⚠ Recommended to be used with 6x19, 6x25, 6x29, 6x37 IPS XIP (EIP), FC or IWRC wire rope. If using with any other type of construction or grade of wire rope, it is recommended to make the breaking load test of the swaged termination to prove the adequacy of the assembly to be manufactured.

Stainless Steel One-Piece Sleeves.

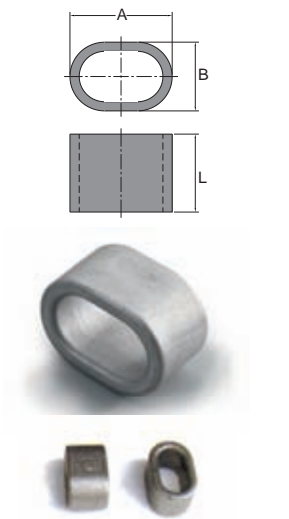


Item No.	For Rope Size	Before Swage Dimensions (inch)			Max. After Swage Dim.	N.W.
		inch	A	B		
9041-06	1/4	3/4	9/16	7/8	0.53	0.03
9041-08	5/16	1 1/8	25/32	1 19/32	0.76	0.18
9041-10	3/8	1 1/8	13/16	1 23/32	0.76	0.14
9041-11	7/16	1 7/16	1 1/32	2 1/32	1.01	0.35
9041-13	1/2	1 7/16	1	2	1.01	0.31
9041-14	9/16	1 3/4	1 3/16	2 1/4	1.27	0.60
9041-16	5/8	1 13/16	1 1/4	2 3/8	1.27	0.60
9041-19	3/4	2 1/8	1 7/16	3 1/16	1.53	1.00
9041-22	7/8	2 1/2	3 3/8	3 1/4	1.76	1.50
9041-25	1	2 7/8	3 7/8	3 3/4	2.04	2.00

⚠ Recommended to be used with 6x19, 6x25, 6x29, 6x37 IPS XIP (EIP), FC or IWRC wire rope. If using with any other type of construction or grade of wire rope, it is recommended to make the breaking load test of the swaged termination to prove the adequacy of the assembly to be manufactured.

⚠ Just one step will finish the swaging, turning the sleeves (ferrules) 90° and swaging again is not recommended.

Stainless Steel Two-Piece Sleeves.

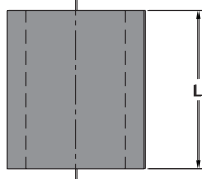
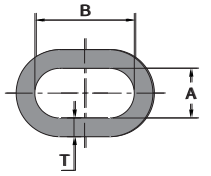


Item No.	For Rope Size	Before Swage Dimensions (inch)			Max. After Swage Dim.	N.W.
		inch	A	B		
9042-13	1/2	1 3/8	15/16	1 1/16	1.01	0.20
9042-14	9/16	1 11/16	1 3/16	1 1/4	1.27	0.31
9042-16	5/8	1 13/16	1 13/16	1 1/16	1.27	0.30
9042-19	3/4	2 1/8	1 3/8	1 3/16	1.53	0.50
9042-22	7/8	2 1/2	1 4/3	1 3/8	1.76	0.70
9042-25	1	2 3/4	1 13/16	1 9/16	2.04	1.00
9042-28	1 1/8	3 3/16	2	1 7/8	2.26	1.50
9042-32	1 1/4	3 3/8	2 3/8	2 1/8	2.51	2.00
9042-35	1 3/8	3 9/16	2 5/16	2 1/8	2.51	2.00
9042-38	1 1/2	3 7/8	2 1/2	2 1/4	2.70	2.00
9042-42	1 5/8	4 5/16	2 13/16	2 3/8	3.08	3.00
9042-45	1 3/4	4 7/16	2 13/16	2 1/2	3.08	3.30
9042-50	2	5	3 3/16	2 7/8	3.52	4.30
9042-57	2 1/4	5 11/16	3 3/4	3 1/8	4.02	6.51
9042-64	2 1/2	6 3/8	4	3 1/8	4.39	7.51

⚠ Recommended to be used with 6x19, 6x25, 6x29, 6x37 IPS XIP (EIP), FC or IWRC wire rope. If using with any other type of construction or grade of wire rope, it is recommended to make the breaking load test of the swaged termination to prove the adequacy of the assembly to be manufactured.

⚠ Just one step will finish the swaging, turning the sleeves (ferrules) 90° and swaging again is not recommended.

Aluminum Ferrules. Spec. acc. to EN13411-3 (DIN 3093)



Item No.	For Rope	Before Swage Dimensions (mm)				Max. After	N.W.
	Size	A	B	T	L	Swage Dim.	(PER 1000 PC)
	mm					mm	Kg
901-001	1	1.20	2.40	0.65	5	2	0.094
901-001P5	1.5	1.70	3.40	0.75	6	3	0.211
901-002	2	2.20	4.40	0.85	7	4	0.375
901-002P5	2.5	2.70	5.40	1.05	9	5	0.499
901-003	3	3.30	6.60	1.25	11	6	0.843
901-003P5	3.5	3.80	7.60	1.50	13	7	1.32
901-004	4	4.40	8.80	1.70	14	8	1.81
901-004P5	4.5	4.90	9.80	1.90	16	9	2.61
901-005	5	5.50	11.00	2.10	18	10	3.57
901-006	6	6.60	13.20	2.50	21	12	5.86
901-006P5	6.5	7.20	14.40	2.70	23	13	7.55
901-007	7	7.80	15.60	2.90	25	14	9.50
901-008	8	8.80	17.60	3.30	28	16	13.70
901-009	9	9.90	19.80	3.70	32	18	19.80
901-010	10	10.90	21.80	4.10	35	20	26.40
901-011	11	12.10	24.20	4.50	39	22	35.80
901-012	12	13.20	26.40	4.90	42	24	45.80
901-013	13	14.20	28.40	5.40	46	26	59.70
901-014	14	15.30	30.60	5.80	49	28	73.50
901-016	16	17.50	35.00	6.70	56	32	111
901-018	18	19.60	39.20	7.60	63	36	156
901-020	20	21.70	43.40	8.40	70	40	217
901-022	22	24.30	48.60	9.20	77	44	292
901-024	24	26.40	52.80	10.00	84	48	376
901-026	26	28.50	57.00	10.90	91	52	481
901-028	28	31.00	62.00	11.70	98	56	603
901-030	30	33.10	66.20	12.50	105	60	739
901-032	32	35.20	70.40	13.40	112	64	897
901-034	34	37.80	75.60	14.20	119	68	1077
901-036	36	39.80	79.60	15.00	126	72	1275
901-038	38	41.90	83.80	15.80	133	76	1503
901-040	40	44.00	88.00	16.60	140	80	1734
901-042	42	46.20	92.40	17.50	147	84	2024
901-044	44	48.40	96.80	18.30	154	88	2314
901-046	46	50.60	101.20	19.20	161	92	2662
901-048	48	52.80	105.60	20.00	168	96	3010
901-050	50	55.00	110.00	20.80	175	100	3412
901-052	52	57.20	114.40	21.60	182	104	3813
901-054	54	59.40	118.80	22.50	189	108	4293
901-056	56	61.60	123.20	23.30	196	112	4772
901-058	58	63.80	127.60	24.20	203	116	5326
901-060	60	66.00	132.00	25.00	210	120	5880

※ Sizes not mentioned in the EN13411-3 (DIN3093) and others up to #104 are all available.

⚠ Just one step will finish the swaging, turning the sleeves(ferrules) 90° and swaging again is not recommended.