

YOKE



U.S. RIGGING SUPPLY



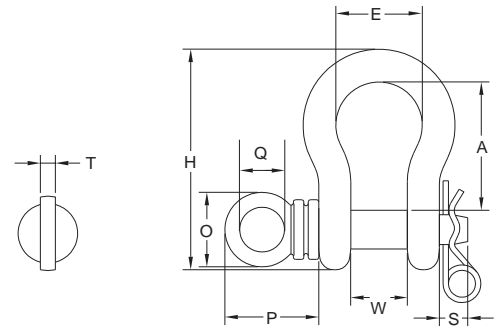


ROV: Remote Operated Vehicle

- YOKE ROV shackles are designed specifically for ROV application.
- YOKE ROV shackles are manufactured with the highest quality steel available.
- YOKE ROV shackles are individually stamped with the safe working load.
- YOKE ROV shackles are proof tested to 2 times the safe working load - test certs are provided.
- YOKE ROV shackles are painted white to ensure ease of sight in water.

ROV Anchor Shackle, with Safety Pin.

(ROV: Remote Operated Vehicle)



Item No.	Nominal Size		Working Load Limit tonnes*	Dimensions (inch)									N.W. Lbs
	inch	mm		P	O	W	A	E	T	H	Q	S	
8-911-22	7/8	22	6.5	2.48	1.96	1.50	3.39	2.28	0.39	5.91	1.18	0.74	4.0
8-911-26	1	26	8.5	2.55	1.96	1.73	3.78	2.68	0.39	6.57	1.18	0.78	5.3
8-911-28	1 1/8	28	9.5	3.46	2.75	1.81	4.37	2.91	0.47	7.52	1.38	0.82	7.9
8-911-32	1 1/4	32	12.0	3.46	2.75	2.12	4.76	3.30	0.47	8.07	1.38	0.98	10.6
8-911-36	1 3/8	36	13.5	3.77	2.95	2.32	5.28	3.62	0.59	9.13	1.57	1.06	15.0
8-911-38	1 1/2	38	17.0	3.85	2.95	2.36	5.75	3.90	0.59	10.00	1.57	1.06	18.1
8-911-45	1 3/4	45	25.0	4.48	3.54	2.87	7.00	5.00	0.78	12.32	1.97	1.18	37.0
8-911-50	2	50	35.0	5.19	4.17	3.27	7.76	5.75	0.78	13.66	2.36	1.18	52.0

★ Minimum Ultimate Load is 5 times the Working Load Limit.
 Maximun Proof Load is 2 times the Working Load Limit.

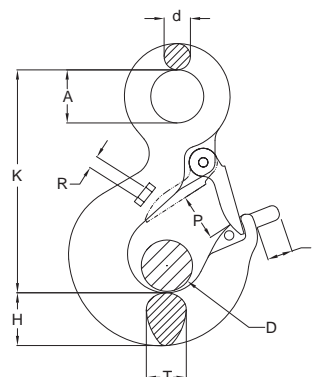
Item No.	Nominal Size		Working Load Limit tonnes*	Dimensions (mm)									N.W. Kg
	inch	mm		P	O	W	A	E	T	H	Q	S	
8-911-22	7/8	22	6.5	63	50	38	86	5	10	148	30	19	1.8
8-911-26	1	26	8.5	65	50	44	96	69	10	166	30	20	2.4
8-911-28	1 1/8	28	9.5	88	70	46	111	74	12	190	35	21	3.6
8-911-32	1 1/4	32	12.0	88	70	54	121	84	12	210	35	25	4.8
8-911-36	1 3/8	36	13.5	96	75	59	134	92	15	232	40	27	6.8
8-911-38	1 1/2	38	17.0	98	75	60	146	99	15	254	40	27	8.2
8-911-45	1 3/4	45	25.0	114	90	73	178	127	20	313	50	30	16.8
8-911-50	2	50	35.0	132	106	83	197	146	20	347	60	30	23.6

★ Minimum Ultimate Load is 5 times the Working Load Limit.
 Maximun Proof Load is 2 times the Working Load Limit.



ROV: Remote Operated Vehicle

- YOKE ROV hooks are designed specifically for ROV application.
- YOKE ROV hooks are manufactured with the highest quality steel available.
- YOKE ROV hooks are proof tested to 2 times the safe working load - test certs are provided.
- YOKE ROV hooks are painted white to ensure ease of sight in water.



ROV Eye Sling Hook

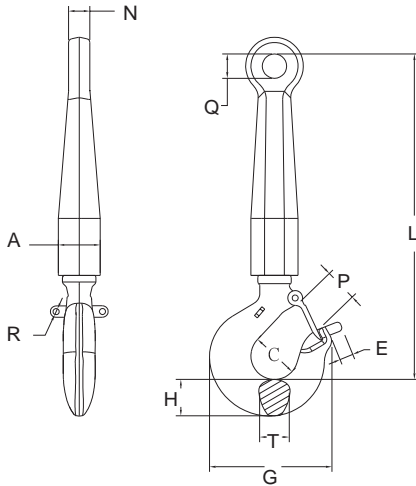
(ROV: Remote Operated Vehicle)

Item No.	Working Load Limit	Dimensions (inch)									N.W.
	tonnes*	A	D	H	K	P	T	d	E	R	Lbs
8-921-03	3.0	1.26	0.98	1.14	4.80	0.98	0.95	0.59	0.78	0.31	2.2
8-921-05	5.0	1.57	1.22	1.46	5.87	1.22	1.22	0.71	0.78	0.31	4.6
8-921-07	7.0	2.00	1.54	1.82	7.56	1.54	1.46	0.95	0.78	0.31	8.8
8-921-11	11.0	2.44	2.24	2.28	9.13	2.24	1.89	1.10	1.18	0.31	15.4
8-921-15	15.0	2.84	2.44	2.60	10.10	2.44	2.20	1.26	1.18	0.31	20.7
8-921-22	22.0	3.54	3.19	3.01	12.50	3.19	2.68	1.57	1.96	0.39	40.9
8-921-30	30.0	3.54	3.27	3.62	14.10	3.27	2.99	1.77	1.96	0.39	68.6

★ Minimum Ultimate Load is 4 times the Working Load Limit.
 Maximun Proof Load is 2 times the Working Load Limit.

Item No.	Working Load Limit	Dimensions (mm)									N.W.
	tonnes*	A	D	H	K	P	T	d	E	R	Kg
8-921-03	3.0	32	25	29	122	25	24	15	20	8	1.0
8-921-05	5.0	40	31	37	149	31	31	18	20	8	2.1
8-921-07	7.0	51	39	46	192	39	37	24	20	8	4.0
8-921-11	11.0	62	57	58	232	57	48	28	30	8	7.0
8-921-15	15.0	72	62	66	256	62	56	32	30	8	9.4
8-921-22	22.0	90	81	77	318	81	68	40	50	10	18.6
8-921-30	30.0	90	83	92	357	83	76	45	50	10	31.2

★ Minimum Ultimate Load is 4 times the Working Load Limit.
 Maximun Proof Load is 2 times the Working Load Limit.



ROV: Remote Operated Vehicle

- YOKE ROV shank hooks are designed specifically for rov application.
- YOKE ROV shank hooks are manufactured with the highest quality steel available.
- YOKE ROV shank hooks are individually stamped with the safe working load.
- YOKE ROV shank hooks are proof tested to 2 times the safe working load - test certs are provided.
- YOKE ROV shank hooks are painted white to ensure ease of sight in water.

ROV Shank Hook

(ROV: Remote Operated Vehicle)

Item No.	Working Load Limit	Dimensions (inch)										N.W.	
	tonnes*	A	N	C	T	P	G	R	E	H	Q	L	Lbs
8-931-05	5.4	2.16	1.10	1.53	1.31	1.22	5.12	0.31	0.78	1.46	1.25	15.90	13.2
8-931-08	8.0	2.16	1.10	1.94	1.66	1.54	6.54	0.31	0.78	1.82	1.25	16.81	16.8
8-931-11	11.5	2.56	1.57	2.46	1.88	2.24	7.72	0.31	1.18	2.28	1.96	22.40	30.2
8-931-16	16.0	2.56	1.57	2.59	2.19	2.44	8.70	0.31	1.18	2.60	1.96	23.07	35.7
8-931-22	22.0	3.35	2.04	2.81	2.69	3.19	10.91	0.39	1.96	3.01	2.55	26.96	69.3
8-931-32	31.5	3.35	2.04	3.44	3.00	3.27	13.90	0.39	1.96	3.62	2.55	28.66	98.3

★ Minimum Ultimate Load is 4 times the Working Load Limit.
 Maximun Proof Load is 2 times the Working Load Limit.

Item No.	Working Load Limit	Dimensions (mm)										N.W.	
	tonnes*	A	N	C	T	P	G	R	E	H	Q	L	Kg
8-931-05	5.4	55	28	38	33	31	130	8	20	37	32	404	6.0
8-931-08	8.0	55	28	49	42	39	166	8	20	46	32	427	7.6
8-931-11	11.5	65	40	62	48	57	196	8	30	58	50	569	13.7
8-931-16	16.0	65	40	65	56	62	221	8	30	66	50	586	16.2
8-931-22	22.0	85	52	71	68	81	277	10	50	77	65	685	31.5
8-931-32	31.5	85	52	87	76	83	353	10	50	92	65	728	44.6

★ Minimum Ultimate Load is 4 times the Working Load Limit.
 Maximun Proof Load is 2 times the Working Load Limit.